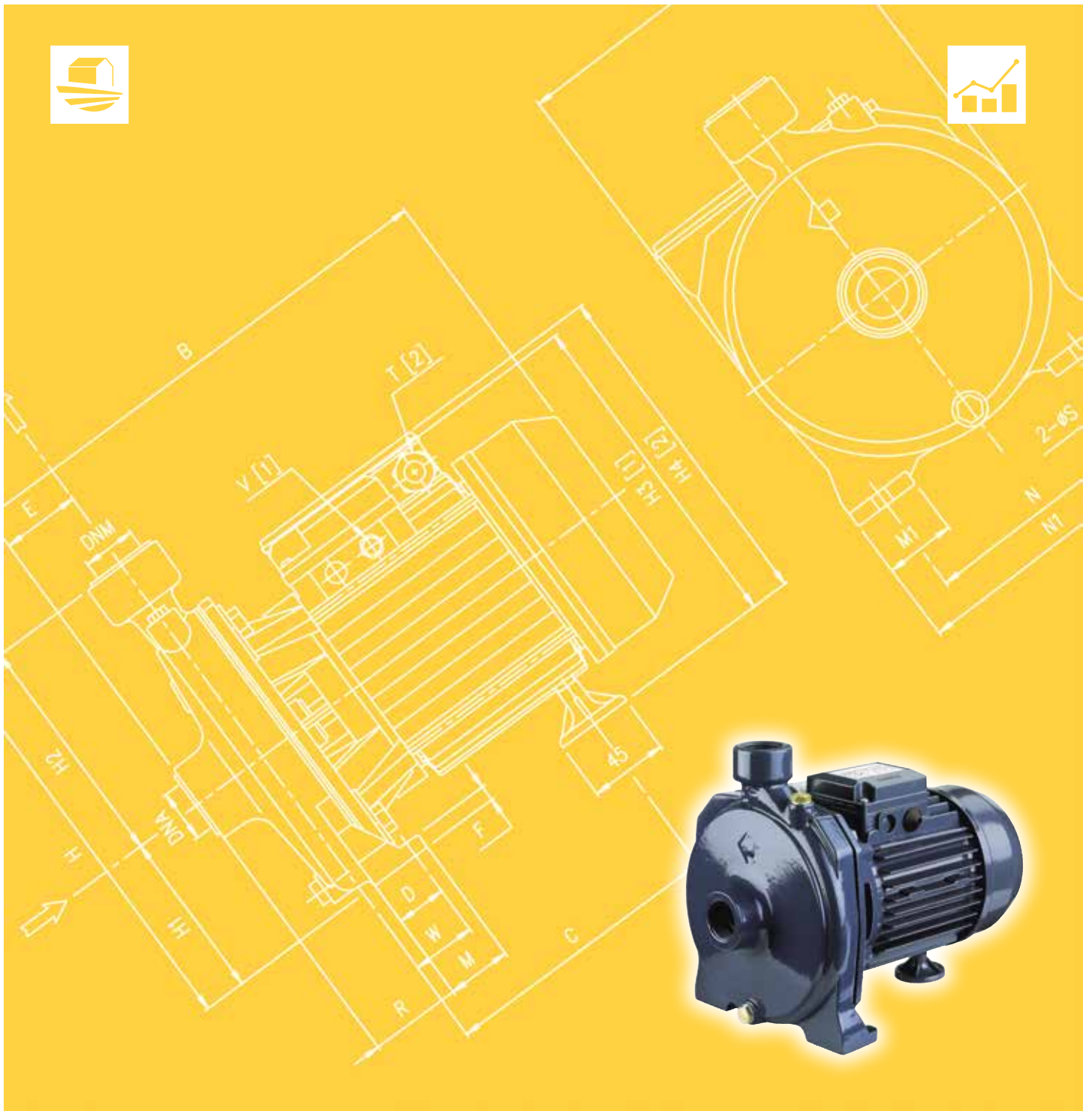




Japanese Technology since 1912

CMA-B-C-D

Data Book 50Hz



	Page
- SPECIFICATIONS	200
SELECTION CHART CMA-CMB-CMC-CMD	201
TYPE KEY AND CURVE SPECIFICATIONS	202-203
PERFORMANCE CURVE CMA	204
PERFORMANCE CURVE CMB	205
PERFORMANCE CURVE CMC	206
PERFORMANCE CURVE CMD	207
- CONSTRUCTIONS	300
SECTIONAL VIEW DRAWING (UP TO 1.00)	300
SECTIONAL VIEW TABLE (UP TO 1.00)	301
SECTIONAL VIEW DRAWING (1.50 AND ABOVE)	302
SECTIONAL VIEW TABLE (1.50 AND ABOVE)	303
MECHANICAL SEAL (UP TO 1.00)	304
MECHANICAL SEAL (1.50 AND ABOVE)	305
BEARINGS	306
- DIMENSIONS AND WEIGHT	400
PUMP DRAWING	400
DIMENSION PUMP TABLE	401
PACKING	402
- TECHNICAL DATA	500
MOTOR DATA	500
NOISE DATA	500

SPECIFICATION

50Hz

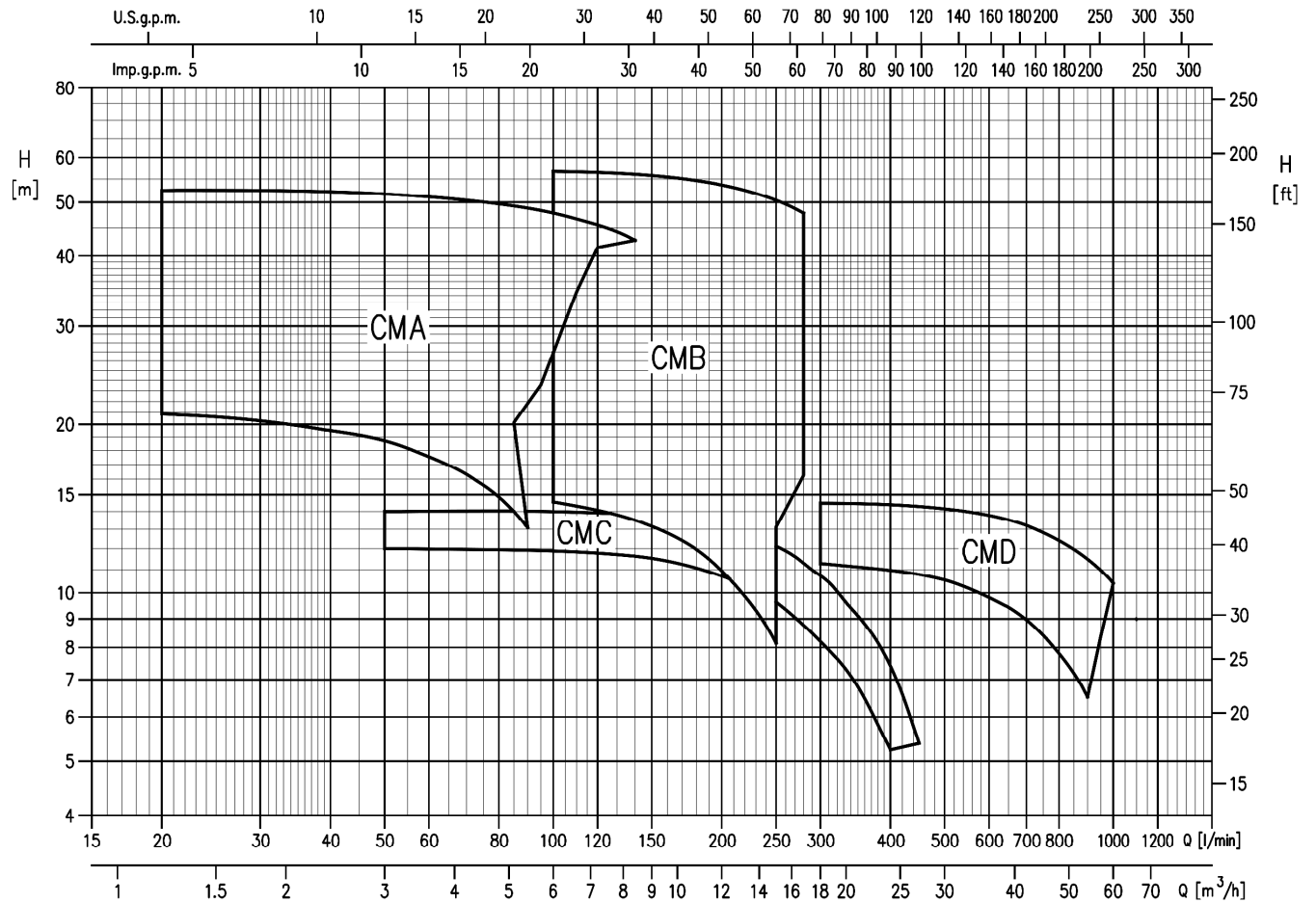
Rev.S

PUMP		
Liquid	Type of liquid	Clean water
Handled	Temperature [°C]	min. +5 max. +40 (CMA up to 1.00) max. +90 (the other)
Maximum working pressure	[MPa]	0.6 (CMA up to 1.00 ; CMB up to 3.00; CMC; CMD) 0.8 (the other)
Construction	Impeller	Closed centrifugal
	Shaft seal type	Mechanical seal
	Bearing	Sealed ball bearing
Pipe Connection	Suction	G 1" (CMA up to 1.00) UNI ISO 228 G 1"¼ (CMA 1.50 and above) UNI ISO 228 G 2" (CMB - CMC) UNI ISO 228 G 2"½ (CMD) UNI ISO 228
	Discharge	G 1" (CMA) UNI ISO 228 G 1"¼ (CMB) UNI ISO 228 G 2" (CMC) UNI ISO 228 G 2"½ (CMD) UNI ISO 228
Material	Casing	Cast iron
	Impeller	PPE+PS glass fibre reinforced - Brass - Cast iron see application page 301-303
	Shaft seal	Ceramic/Carbon/NBR
	Shaft	AISI 303 (wet extension) AISI 304 (wet extension) see application page 301-303
	Bracket	Cast iron - Aluminium see application page 301-303
	Casing cover	AISI 304 see application page 301-303
Applicable standard of test		ISO 9906 – Annex A
MOTOR		
Type	Electric - TEFC	
	Single Phase	Three Phase
Efficiency level (Reg. 1781/2019)	IE2	IE3
No. Of Poles	2	
Rotation speed [min-1]	≈ 2800	
Insulation Class	F	
Protection degree (CEI EN 60034-5)	IP 44	
Power rating	[kW]	0.37 ÷ 1.5
	[HP]	0.5 ÷ 2
Frequency [Hz]	50	
Voltage [V]	230 ±10%	230/400 ±10%
Capacitor	Built in	-
Over load protection	Built in	Provided by the user
Casing material	Aluminium	
Base material / motor support	Aluminium / Cast iron / Plastic foot	
Dimensions of cable entry	PG11 - PG13.5 – PG16 - M16x1.5 - M20x1.5 (see dimensions page 401)	

SELECTION CHART

50Hz

Rev.S



CMA

Pump type		Q=Capacity											
Single Phase	Three Phase	l/min	0	20	40	60	80	85	90	95	110	120	140
		m ³ /h	0	1,2	2,4	3,6	4,8	5,1	5,4	5,7	6,6	7,2	8,4
		H=Total manometric head in meters											
CMA 0,50 M	CMA 0,50 T	21,7	20,9	19,5	17,6	14,9	14,0	13,1	-	-	-	-	-
CMA 0,75 M	CMA 0,75 T	31,6	29,7	27,8	24,9	21,1	20,2	-	-	-	-	-	-
CMA 1.00 M	CMA 1.00 T	33,6	33,0	31,9	29,9	26,6	25,6	24,6	23,5	-	-	-	-
CMA 1.50 M	CMA 1.50 T	39,8	39,5	39,0	38,3	37,0	36,5	36,1	35,6	34,5	-	-	-
CMA 2.00 M	CMA 2.00 T	48	47,5	47	46	45	45	44,5	44	43	42	-	-
-	CMA 3.00 T	53,5	53	52,5	51	49,5	49	49	48,5	46,5	45,5	42,5	-

CMB

Pump type		Q=Capacity						
Single Phase	Three Phase	l/min	0	100	150	200	250	280
		m ³ /h	0	6,0	9,0	12,0	15,1	16,9
		H=Total manometric head in meters						
CMB 0,75 M	CMB 0,75 T	14,9	14,6	13,2	10,9	8,1	-	-
CMB 1.00 M	CMB 1.00 T	18,7	18,6	17,5	15,7	13,1	-	-
CMB 1.50 M	CMB 1.50 T	22,4	22,5	21,6	20	17,8	16,2	-
CMB 2.00 M	CMB 2.00 T	30,6	30,8	29,7	28,0	25,4	23,6	-
-	CMB 3.00 T	35,3	35,4	34,4	32,7	30,2	28,5	-
-	CMB 4.00 T	46,5	45,5	44	42	37,8	36,2	-
-	CMB 5.50 T	57	57	56	53,5	50,5	48	-

CMC

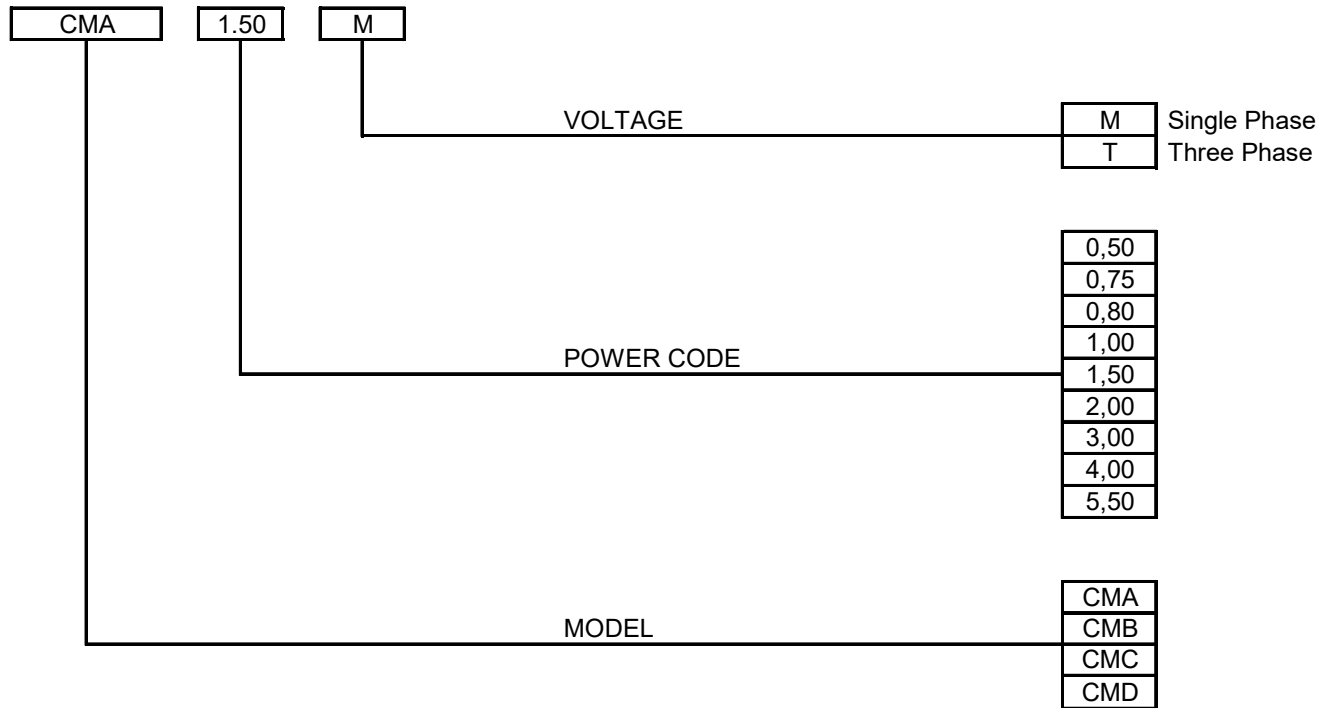
Pump type		Q=Capacity							
Single Phase	Three Phase	l/min	0	50	100	200	300	400	450
		m ³ /h	0	3,0	6,0	12,0	18,1	24,1	27,1
		H=Total manometric head in meters							
CMC 0,75 M	CMC 0,75 T	12	12	11,9	10,7	8,3	5,2	-	-
CMC 1.00 M	CMC 1.00 T	14	14	14	13,1	10,8	7,4	5,4	-

CMD *

Pump type		Q=Capacity								
Single Phase	Three Phase	l/min	0	250	400	600	800	900	950	1000
		m ³ /h	0	15,1	24,1	36,1	48,2	54,2	57,2	60,2
		H=Total manometric head in meters								
CMD 1.50 M	CMD 1.50 T	11,5	11,3	11	9,8	7,8	6,5	-	-	-
CMD 2.00. M	CMD 2.00. T	13,2	13,1	12,9	12	10,2	9	8,4	-	-
-	CMD 3.00 T	15,9	16,1	15,8	15	13,1	11,9	11,2	10,4	-

* PRODUCT NOT AVAILABLE FOR THE EUROPEAN MARKET

TYPE KEY



PERFORMANCE CURVE SPECIFICATIONS

The specifications below qualify the curves shown on the following pages.

Tolerances according to ISO 9906 Annex A

The curves refer to effective speed of asynchronous motors at 50 Hz

Measurements were carried out with clean water at 20°C of temperature and with a kinematic viscosity of $\nu = 1 \text{ mm}^2/\text{s}$ (1 cSt)

In order to avoid the risk of over-heating, the pumps should not be used at a flow rate below 10% of best efficiency point.

Symbols explanation:

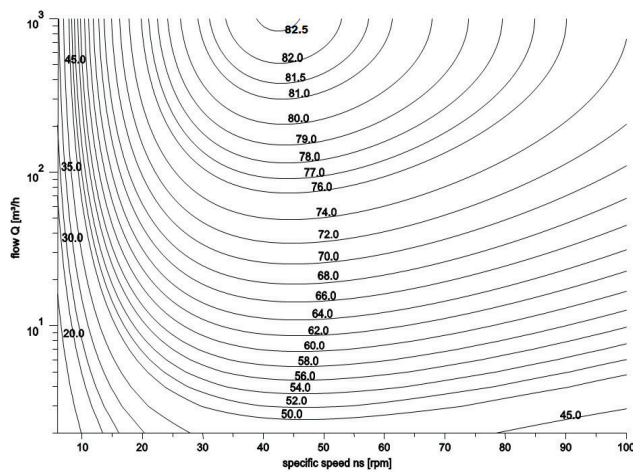
- Q = volume flow rate
- H = total head
- P_2 = pump power input (shaft power)
- η = pump efficiency
- MEI = minimum efficiency index

The minimum efficiency index (MEI) is a measure of the quality of a pump size in respect to its mean efficiency. The minimum efficiency index is based on the hydraulic efficiency and on the head at the best efficiency point.

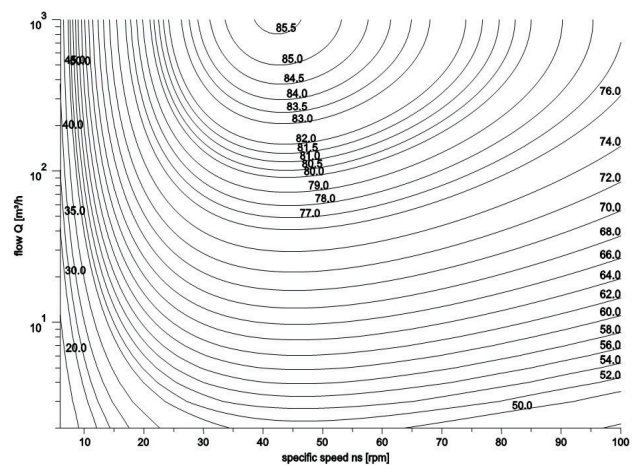
The efficiency of a pump with trimmed impeller is usually lower than that of a pump with the full impeller diameter. The trimming of the impeller will adapt the pump to a fixed duty point, leading to reduced energy consumption. The minimum efficiency index (MEI) is based on the full impeller diameter.

The operation of these water pumps with variable duty points may be more efficient and economic when controlled, for example, by the use of a variable speed drive that matches the pump duty to the system.

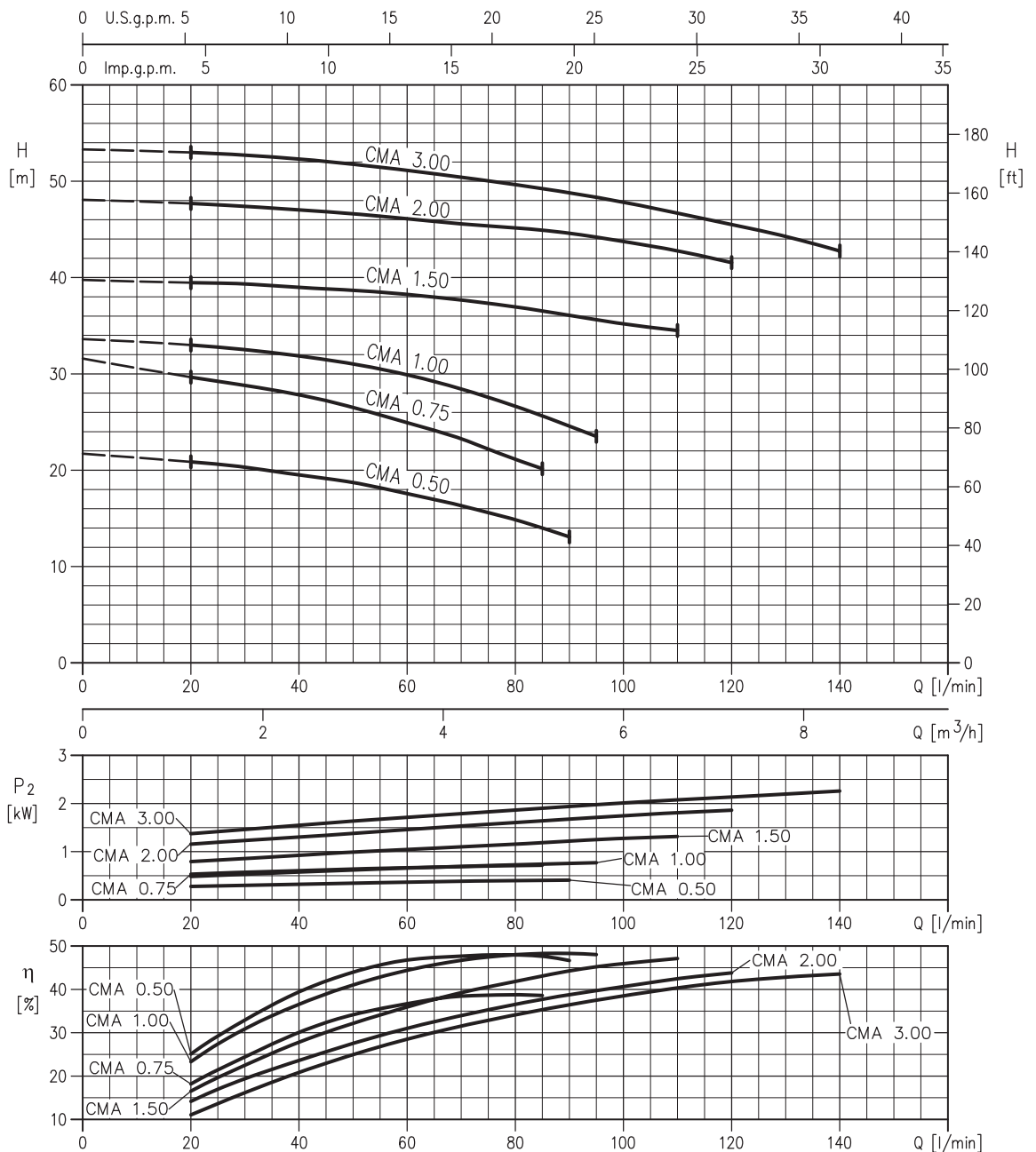
MEI = 0.4 for ESCC 2900 rpm



MEI = 0.7 for ESCC 2900rpm

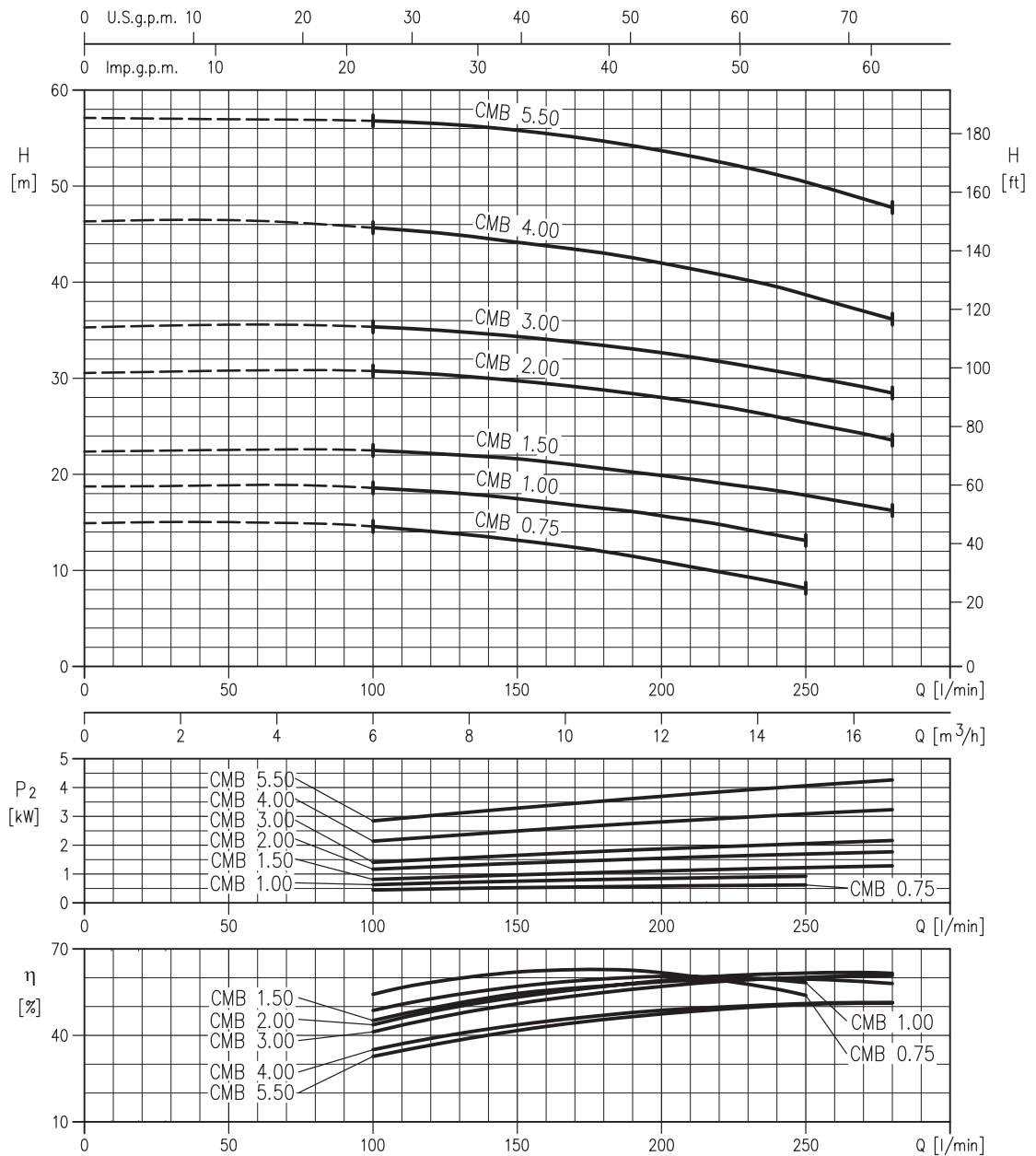


CMA 0.50 - Impeller diameter = 130 mm
CMA 0.75 - Impeller diameter = 161 mm
CMA 1.00 - Impeller diameter = 160 mm
CMA 1.50 MEI > 0.70 - Impeller diameter = 173 mm
CMA 2.00 MEI > 0.70 - Impeller diameter = 191 mm
CMA 3.00 MEI > 0.70 - Impeller diameter = 201 mm



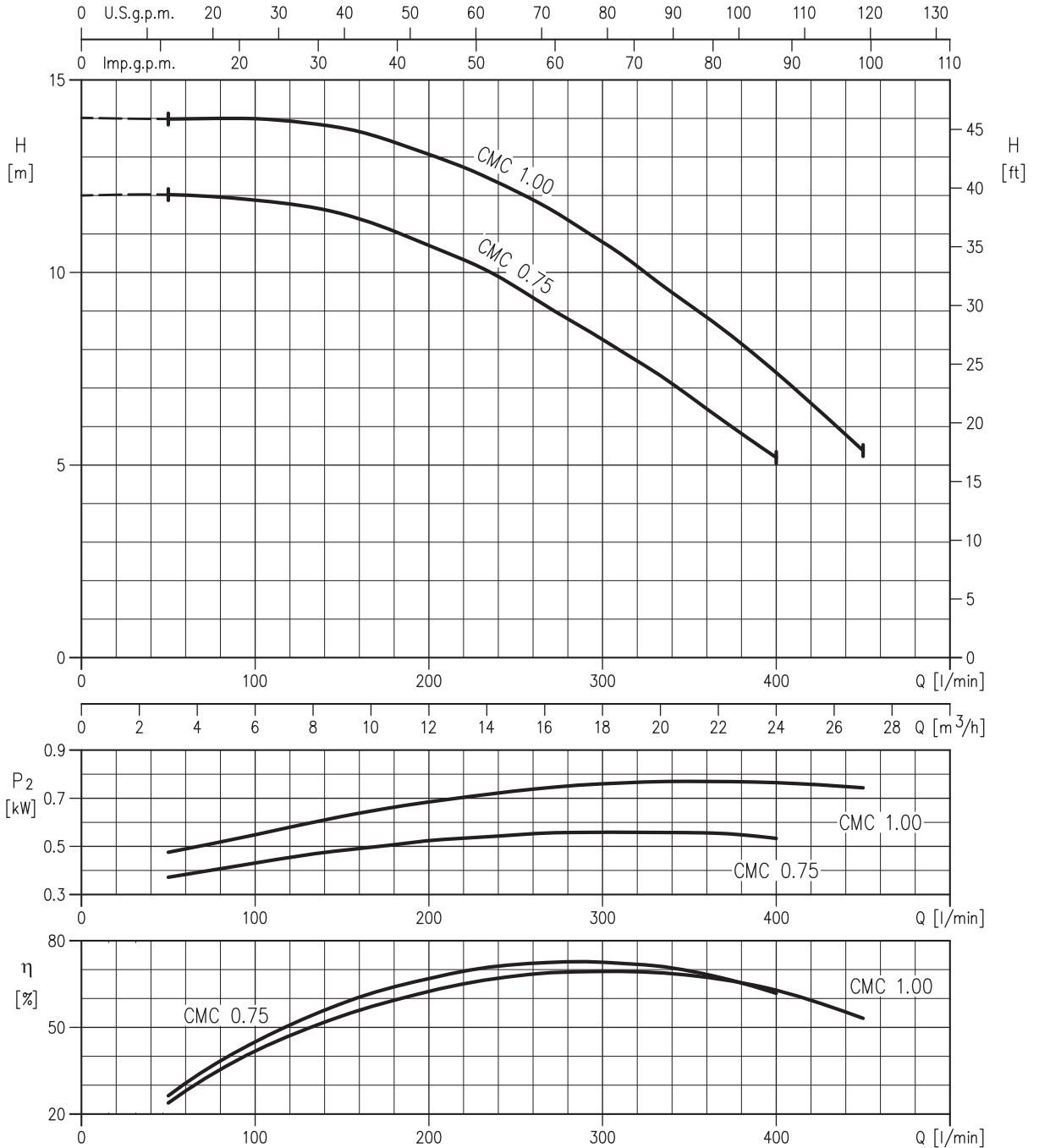
Rotation speed ≈ 2800 min⁻¹
 Test standard: ISO 9906 – Annex A

CMB 0.75 MEI > 0.60 - Impeller diameter = 112 mm
CMB 1.00 MEI > 0.60 - Impeller diameter = 123 mm
CMB 1.50 MEI > 0.60 - Impeller diameter = 132 mm
CMB 2.00 MEI > 0.70 - Impeller diameter = 155 mm
CMB 3.00 MEI > 0.70 - Impeller diameter = 164.5 mm
CMB 4.00 MEI > 0.70 - Impeller diameter = 189 mm
CMB 5.50 MEI > 0.70 - Impeller diameter = 204 mm



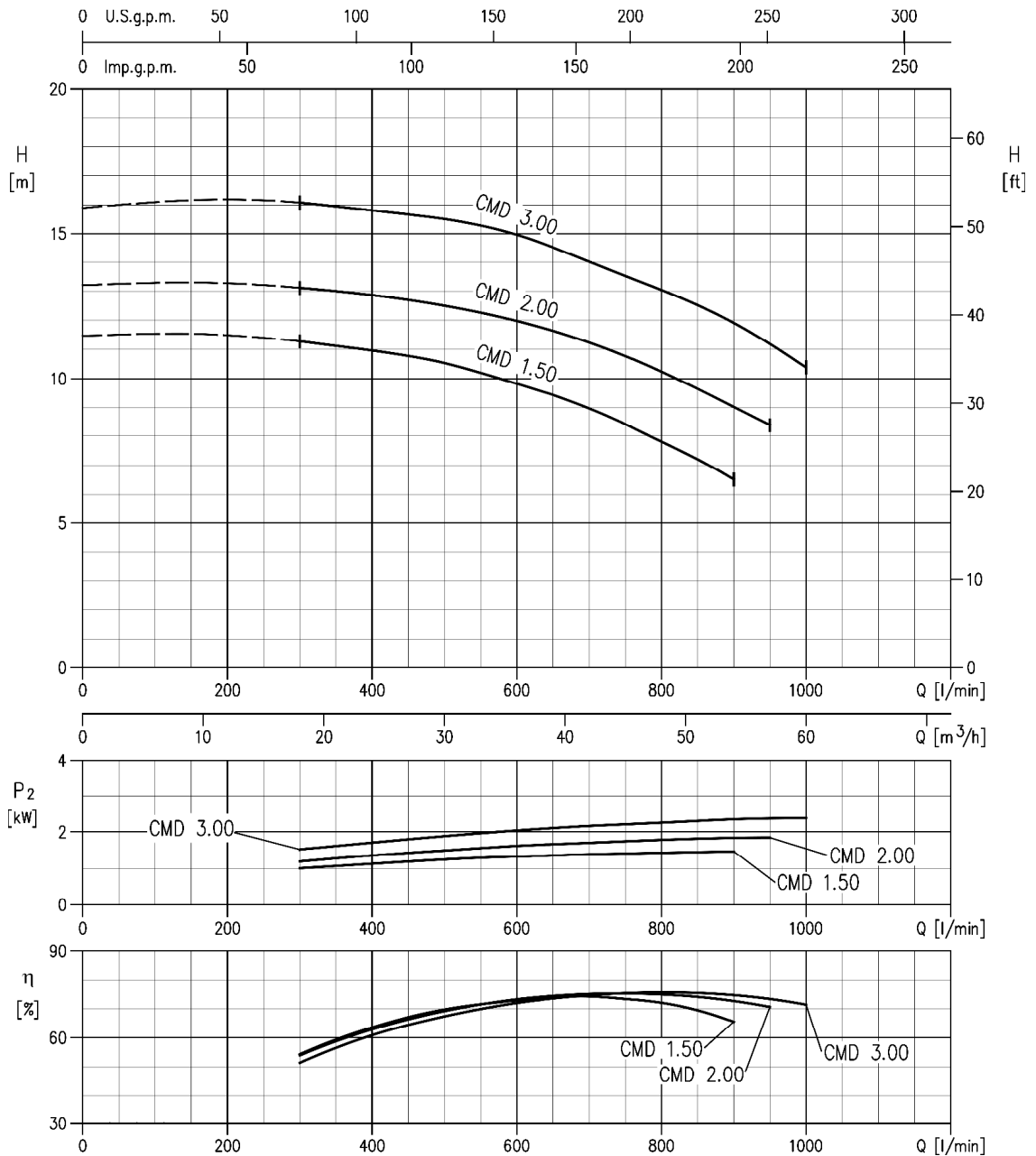
Rotation speed ≈ 2800 min⁻¹
 Test standard: ISO 9906 – Annex A

CMC 0.75 MEI > 0.70 - Impeller diameter = 100 mm
 CMC 1.00 MEI > 0.70 - Impeller diameter = 112 mm



Rotation speed ≈ 2800 min⁻¹
 Test standard: ISO 9906 – Annex A

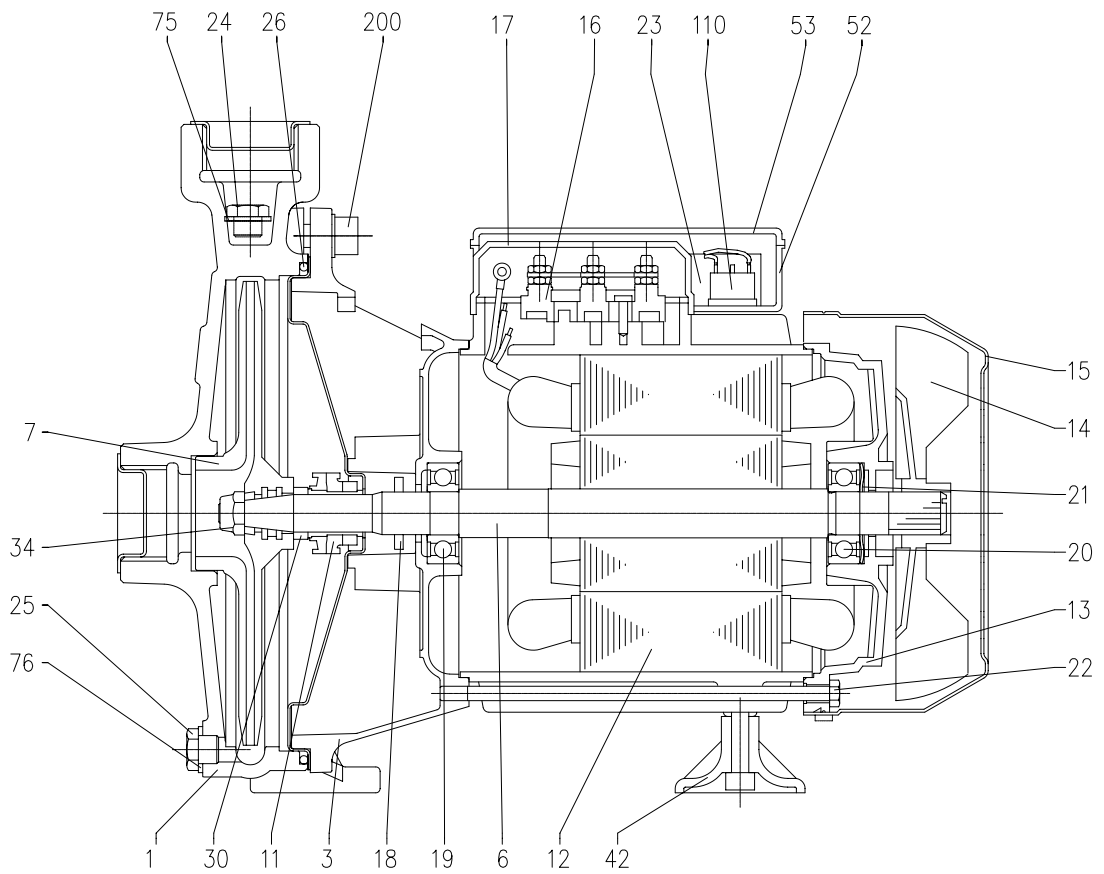
CMD 1.50 - Impeller diameter = 105 mm
CMD 2.00 - Impeller diameter = 110 mm
CMD 3.00 - Impeller diameter = 120 mm



PRODUCT NOT AVAILABLE FOR THE EUROPEAN MARKET

Rotation speed ≈ 2850 min⁻¹
 Test standard: ISO 9906 – Annex A

SECTIONAL VIEW DRAWING
(UP TO 1.00)



SECTIONAL VIEW TABLE
(UP TO 1.00)

N°	PART NAME		MATERIAL	DIMENSIONS	STANDARD	Q.TY
1	Casing		Cast iron			1
3	Motor bracket		Aluminium			1
4	Casing cover		AISI 304			1
6	Shaft with rotor		[1]			1
7	Impeller		[2]			1
11	Mechanical seal		Carbon/Ceramic/NBR	See page 304		1
12	Motor frame with stator		-			1
13	Motor cover		Aluminium			1
14	Fan		PA			1
15	Fan cover		Fe P04 Galvanized			1
16	Terminal box		-			1
17	Terminal box cover [3]		Aluminium			1
18	Splash ring	CMA 0.50 other models	NBR	D25x11.5x2.5	EBARA DRAWING	1
				D25x14.5x2.5		
19	Pump side ball bearing		-			1
20	Fan side ball bearing		-			1
21	Adjusting ring		Steel C70			1
22	Tie rod		Fe 42 Galvanized			4
23	Capacitor [4]		-			1
24	Priming plug		Brass	G 1/8"	UNI 338	1
25	Drain plug		Brass	G 1/8"	UNI 338	1
26	O-ring		NBR			1
30	Mechanical seal spacer [5]		Brass			1
34	Impeller nut [6]		AISI 304	M8x1	UNI7474	1
42	Foot		PP			1
52	Capacitor box [4]		ABS class V-0			1
53	Capacitor box cover [4]		ABS class V-0			1
75	Washer		Aluminium	10x16x1.5		1
76	Washer		Aluminium	10x16x1.5		1
110	Protector [4]		-			-
200	Screw	CMA 0.50	Zn Steel Cl. 8.8	M6x16	ISO 898-1	4
		CMA 0.75; 1.00		M8x18		
		CMC 0.75; 1.00		M8x22		
		CMB 0.75; 1.00				

[1] Material: AISI 303 (wet extension)

[2] Material: PPE+PS glass fibre reinforced for version CMA
Cast iron for version CMB, CMC;

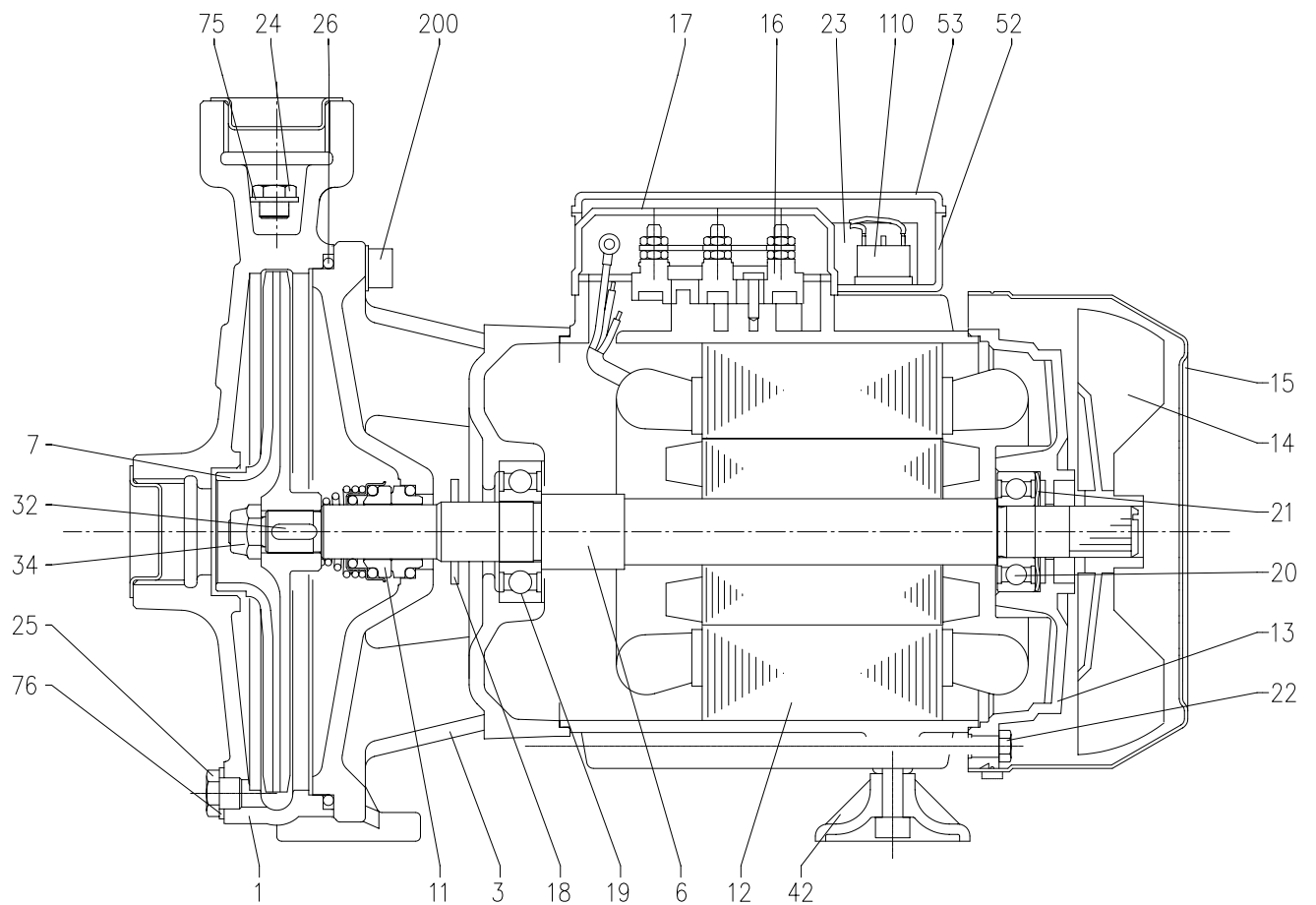
[3] Only for three phase

[4] Only for single phase

[5] Only for version: CMA 0.50, CMB 0.75-1.00, CMC 0.75-1.00

[6] Except for CMA 0.50

SECTIONAL VIEW DRAWING
(1.50 AND ABOVE)



**SECTIONAL VIEW TABLE
(1.50 AND ABOVE)**

N°	PART NAME	MATERIAL	DIMENSIONS	STANDARD	Q.TY
1	Casing	Cast iron			1
3	Motor bracket	Cast iron			1
6	Shaft with rotor	[1]			1
7	Impeller	[2]			1
11	Mechanical seal	Carbon/Ceramic/NBR	See page 305		1
12	Motor frame with stator	-			1
13	Motor cover	Aluminium			1
14	Fan	PA			1
15	Fan cover	Fe P04 Galvanized			1
16	Terminal board	-			1
17	Terminal box cover [3]	Aluminium			1
18	Splash ring	NBR	D35x19.5x2.5	EBARA DRAWING	1
19	Pump side ball bearing	-			1
20	Fan side ball bearing	-			1
21	Adjusting ring	Steel C70			1
22	Tie rod	Fe 42 Galvanized			4
23	Capacitor [4]	-			1
24	Priming plug	CMD 1.50; 2.00; 3.00; 4.00 other models	G 1/4"	UNI 338	1
			G 1/8"		
25	Drain plug	CMD 1.50; 2.00; 3.00; 4.00 other models	G 1/4"	UNI 338	1
			G 1/8"		
26	O-ring	NBR			1
32	Key	AISI 316			1
34	Impeller nut	other models CMB 4.00; 5.50	M10	UNI 7474	1
			M12x1.25		1
42	Foot	PP			1
52	Capacitor box [4]	ABS class V-0			1
53	Capacitor box cover [4]	ABS class V-0			1
75	Washer	CMD 1.50; 2.00; 3.00; 4.00 other models	13.5x19x1.5		1
			10x16x1.5		1
76	Washer	CMD 1.50; 2.00; 3.00; 4.00 other models	13.5x19x1.5		1
			10x16x1.5		1
110	Protector [4]	-			1
200	Screw	CMD 1.50; 2.00; 3.00; 4.00 CMB 1.50; 2.00; 3.00 CMA 1.50 CMA 2.00; 3.00 CMB 4.00; 5.50	M8x25	ISO 898-1	4
			M8x22		
			M10x35		
			M12x35		

[1] Material: AISI303 (wet extension) for version CMA, CMB 1.50-2.00-3.00, CMD 1.50-2.00-3.00

AISI304 (wet extension) for version CMB 4.00-5.50

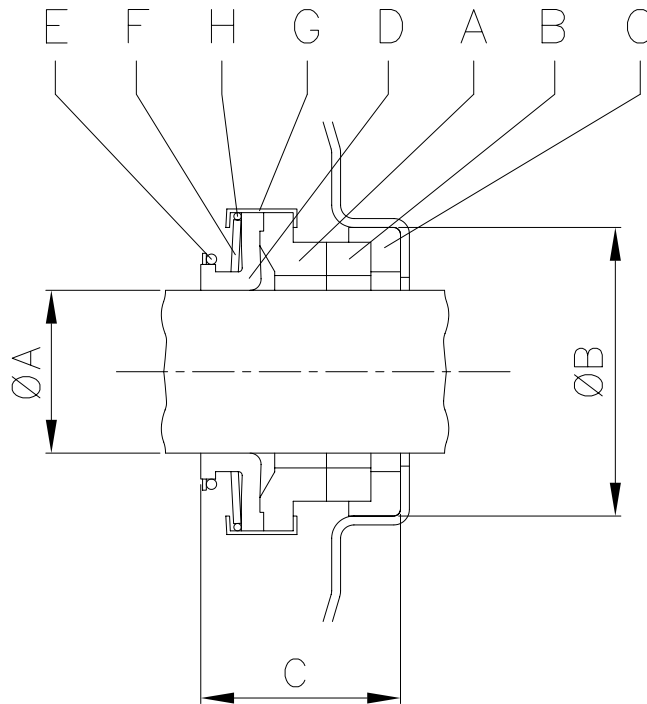
[2] Material: Brass for version: CMA, CMB 2.00-3.00-4.00-5.50

Cast iron for version: CMB 1.50, CMD

[3] Only for three phase

[4] Only for single phase

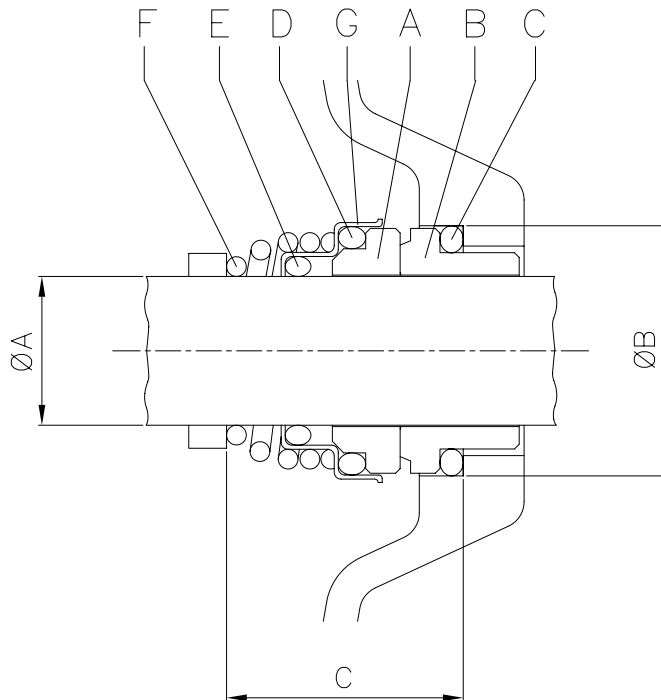
**MECHANICAL SEAL
(UP TO 1.00)**



Pump type		Dimensions mm		
Single phase	Three phase	Ø A	Ø B	C
CMA 0.50 M	CMA 0.50 T	12	26	18.3
CMA 0.75 M	CMA 0.75 T	13	26	18.3
CMA 1.00 M	CMA 1.00 T	13	26	18.3
CMB 0.75 M	CMB 0.75 T	13	26	18.3
CMB 1.00 M	CMB 1.00 T	13	26	18.3
CMC 0.75 M	CMC 0.75 T	13	26	18.3
CMC 1.00 M	CMC 1.00 T	13	26	18.3

REF	PART NAME	MATERIAL product standard
A	Rotary seal ring	carbon graphite
B	Stationary seal ring	ceramic
C	Gasket	NBR
D	Bellows	NBR
E	Ring	AISI 304
F	Self driving spring	AISI 304
G	Frame	AISI 304
H	Retainer ring	AISI 304

**MECHANICAL SEAL
(1.50 AND ABOVE)**



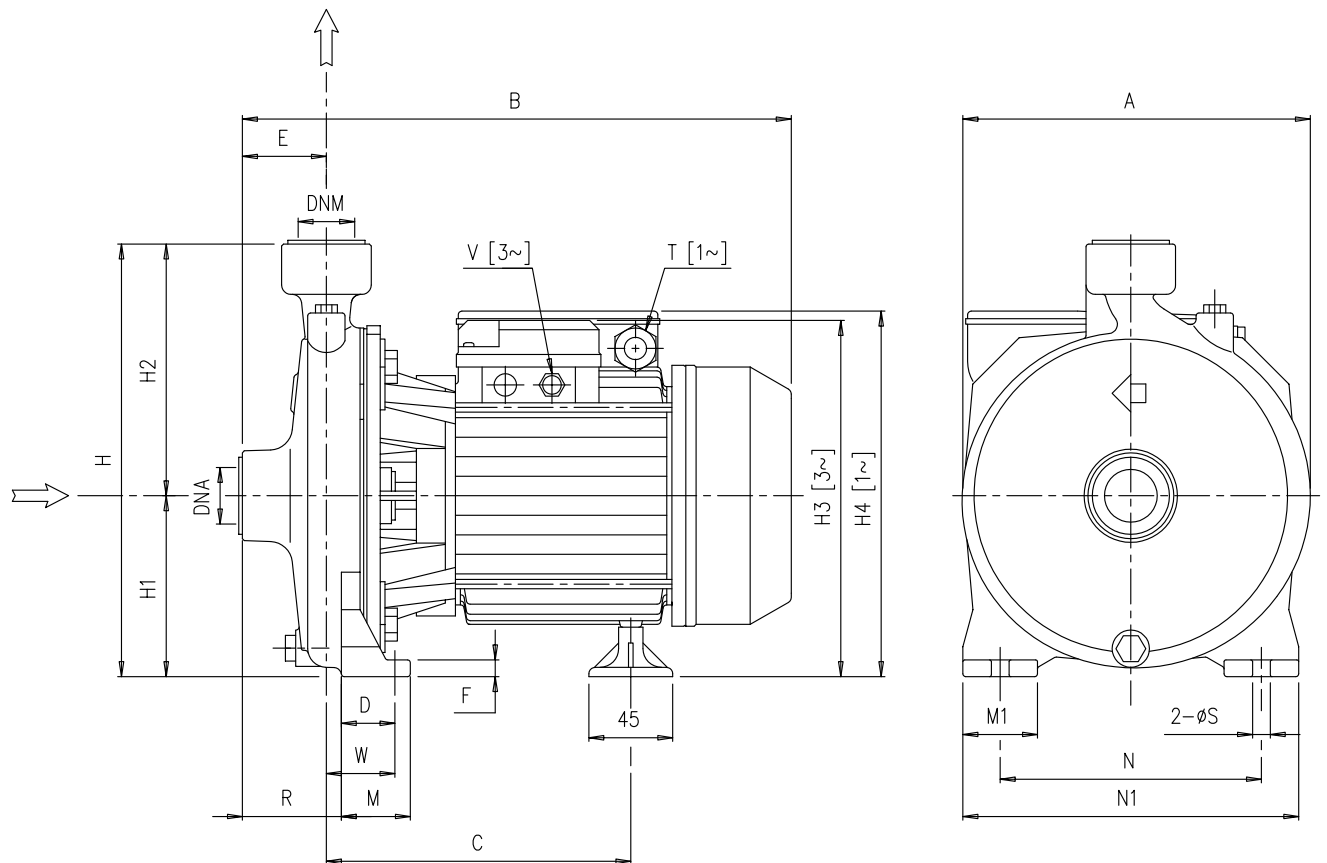
Pump type		Dimensions mm		
Single phase	Three phase	Ø A	Ø B	C
CMA 1.50 M	CMA 1.50 T	18	30.9	32
CMA 2.00 M	CMA 2.00 T	18	30.9	32
-	CMA 3.00 T	18	30.9	32
CMB 1.50 M	CMB 1.50 T	18	30.9	32
CMB 2.00 M	CMB 2.00 T	18	30.9	32
-	CMB 3.00 T	18	30.9	32
-	CMB 4.00 T	20	30.9	33
-	CMB 5.50 T	20	30.9	33
CMD 1.50 M	CMD 1.50 T	18	30.9	32
CMD 2.00 M	CMD 2.00 T	18	30.9	32
-	CMD 3.00 T	18	30.9	32

REF	PART NAME	MATERIAL product standard
A	Rotary seal ring	ceramic
B	Stationary seal ring	carbon graphite
C	O Ring	NBR
D	O Ring	NBR
E	O Ring	NBR
F	Self driving spring	AISI 316
G	Frame	AISI 304

BEARINGS

Pump Type		Ball Bearing	
Single phase	Three Phase	Pump side	Fan side
CMA 0.50M	CMA 0.50T	6201	6202
CMA 0.75M	CMA 0.75T	6202	6202
CMA 1.00M	CMA 1.00T	6202	6202
CMA 1.50M	CMA 1.50T	6204	6203
CMA 2.00M	CMA 2.00T	6204	6203
-	CMA 3.00T	6204	6203
CMB 0.75M	CMB 0.75T	6202	6202
CMB 1.00M	CMB 1.00T	6202	6202
CMB 1.50M	CMB 1.50T	6204	6203
CMB 2.00M	CMB 2.00T	6204	6203
-	CMB 3.00T	6204	6203
-	CMB 4.00T	6306	6205
-	CMB 5.50T	6306	6205
CMC 0.75M	CMC 0.75T	6202	6202
CMC 1.00M	CMC 1.00T	6202	6202
CMD 1.50M	CMD 1.50T	6204	6203
CMD 2.00M	CMD 2.00T	6204	6203
-	CMD 3.00T	6204	6203

PUMP DRAWING

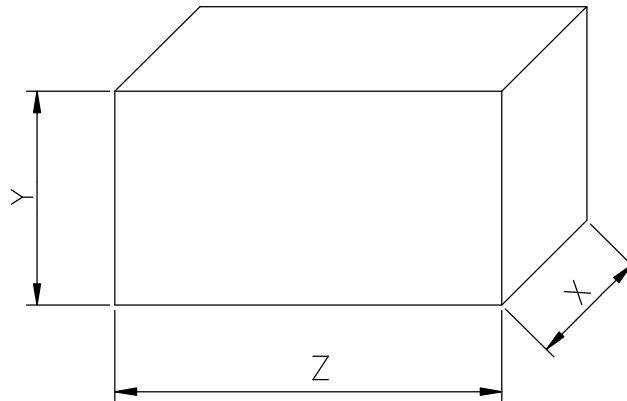


[1~] Single phase
[3~] Three phase

DIMENSION PUMP TABLE

Pump type	Dimensions [mm]																				Weight [kg]		
	A	B	C	D	E	F	H	H1	H2	H3	H4	M	M1	N	N1	R	T	V	W	S		DNA	DNM
CMA 0.50M	185	300	172	36,8	45	9	232	97	135	-	198	45	40	140	180	45	PG11	-	36,8	9,5	G 1	G 1	10,5
CMA 0.50T	160	261,8	158,8	30	44	8	202	82	120	172,5	-	40	40	110	150	44	-	PG11	30	9,5	G 1	G 1	7,2
CMA 0.75M	185	300	171,8	36,8	45	9	232	97	135	-	198	45	40	140	180	45	PG11	-	36,8	9,5	G 1	G 1	10,5
CMA 0.75T	185	300,3	171,8	36,8	45	9	232	97	135	197,5	-	45	40	140	180	45	-	PG11	36,8	9,5	G 1	G 1	11,7
CMA 1.00M	185	322	171,8	36,8	45	9	232	97	135	-	198	45	40	140	180	45	PG11	-	36,8	9,5	G 1	G 1	12
CMA 1.00T	185	300,3	171,8	36,8	45	9	232	97	135	197,5	-	45	40	140	180	45	-	M16x1.5	36,8	9,5	G 1	G 1	11,6
CMA 1.50M	200	359	208,3	41,8	45,5	9	252	100	152	-	232	50	40	155	194	45,5	PG13.5	-	41,8	9,5	G 1 1/4	G 1	21
CMA 1.50T	200	372,3	208,3	41,8	45,5	9	252	100	152	214	-	50	40	155	194	45,5	-	M20x1.5	41,8	9,5	G 1 1/4	G 1	20,8
CMA 2.00M	225	372	208,3	41,8	45,5	9	285	115	170	-	247	50	40	180	220	45,5	PG13.5	-	41,8	9,5	G 1 1/4	G 1	23,3
CMA 2.00T	225	373,5	208,3	41,8	45,5	9	285	115	170	229	-	50	40	180	220	45,5	-	M20x1.5	41,8	9,5	G 1 1/4	G 1	24,3
CMA 3.00T	225	372,8	208,3	41,8	45,5	9	285	115	170	229	-	50	40	180	220	45,5	-	M20x1.5	41,8	9,5	G 1 1/4	G 1	24,3
CMB 0.75M	188	315	182,3	36,8	49,5	9	251,5	101,5	150	-	127,5	45	40	140	180	65,5	PG11	-	52,8	9,5	G 2	G 1 1/4	12
CMB 0.75T	188	315,3	182,3	36,8	49,5	9	251,5	101,5	150	127	-	45	40	140	180	65,5	-	PG11	52,8	9,5	G 2	G 1 1/4	11,8
CMB 1.00M	188	337	182,3	36,8	49,5	9	251,5	101,5	150	-	127,5	45	40	140	180	65,5	PG11	-	52,8	9,5	G 2	G 1 1/4	14
CMB 1.00T	188	315,3	182,3	36,8	49,5	9	251,5	101,5	150	127	-	45	40	140	180	65,5	-	M16x1.5	52,8	9,5	G 2	G 1 1/4	13,7
CMB 1.50M	188	374	206,3	36,8	49,5	9	251,5	101,5	150	-	233,5	45	40	140	180	65,5	PG13.5	-	52,8	9,5	G 2	G 1 1/4	19,4
CMB 1.50T	188	374,3	206,3	36,8	49,5	9	251,5	101,5	150	215,5	-	45	40	140	180	65,5	-	M20x1.5	52,8	9,5	G 2	G 1 1/4	20,4
CMB 2.00M	200	385	209,3	36,8	57,5	9	271,5	111,5	160	-	243,5	45	40	160	200	76,5	PG13.5	-	55,8	9,5	G 2	G 1 1/4	21,9
CMB 2.00T	200	386,5	209,3	36,8	57,5	9	271,5	111,5	160	225,5	-	45	40	160	200	76,5	-	M20x1.5	55,8	9,5	G 2	G 1 1/4	22,9
CMB 3.00T	200	385,8	209,3	36,8	57,5	9	271,5	111,5	160	225,5	-	45	40	160	200	76,5	-	M20x1.5	55,8	9,5	G 2	G 1 1/4	22,2
CMB 4.00T	247	459	262,5	48	60	12	323,5	133,5	190	259,5	-	60	50	190	240	77,5	-	M20x1.5	65,5	12	G 2	G 1 1/4	37,7
CMB 5.50T	247	469	222,3	48	60	12	323,5	133,5	190	264,5	-	60	50	190	240	77,5	-	M20x1.5	65,5	12	G 2	G 1 1/4	43,4
CMC 0.75M	186	313,3	186,8	36,8	43	9	247	97	150	-	198	45	40	140	180	63,5	PG11	-	57,3	9,5	G 2	G 2	12
CMC 0.75T	186	313,3	186,8	36,8	43	9	247	97	150	197,5	-	45	40	140	180	63,5	-	PG11	57,3	9,5	G 2	G 2	11,8
CMC 1.00M	186	313,3	186,8	36,8	43	9	247	97	150	-	198	45	40	140	180	63,5	PG11	-	57,3	9,5	G 2	G 2	13
CMC 1.00T	186	313,3	186,8	36,8	43	9	247	97	150	197,5	-	45	40	140	180	63,5	-	M16x1.5	57,3	9,5	G 2	G 2	13,8
CMD 1.50M	213	396	222,8	36,8	68	12	271,5	111,5	160	-	243,5	45	40	160	200	100,5	PG13.5	-	69,3	9,5	G 2 1/2	G 2 1/2	23
CMD 1.50T	213	409,3	222,8	36,8	68	12	271,5	111,5	160	225,5	-	45	40	160	200	100,5	-	M20x1.5	69,3	9,5	G 2 1/2	G 2 1/2	23,1
CMD 2.00M	213	409	222,8	36,8	68	12	271,5	111,5	160	-	243,5	45	40	160	200	100,5	PG13.5	-	69,3	9,5	G 2 1/2	G 2 1/2	23
CMD 2.00T	213	410,5	222,8	36,8	68	12	271,5	111,5	160	225,5	-	45	40	160	200	100,5	-	M20x1.5	69,3	9,5	G 2 1/2	G 2 1/2	24,2
CMD 3.00T	213	409,8	222,8	36,8	68	12	271,5	111,5	160	225,5	-	45	40	160	200	100,5	-	M20x1.5	69,3	9,5	G 2 1/2	G 2 1/2	23,9

PACKING



Pump Type		X	Packing [mm]		Weight [kgf]		
Single Phase	Three Phase		Y	Z	[1~]	[3~]	
CMA 0.50M	CMA 0.50T	180	240	315	300	11,1	7,8
CMA 0.75M	CMA 0.75T	210	270	315	330	11,3	11,3
CMA 1.00M	CMA 1.00T	210	270	355	330	13	12,3
CMA 1.50M	CMA 1.50T	225	290	370	400	24,3	21,4
CMA 2.00M	CMA 2.00T	250	325	390	400	23,9	25,2
-	CMA 3.00T	250	325	-	400	-	25,2
CMB 0.75M	CMB 0.75T	210	290	355	370	12,9	12,5
CMB 1.00M	CMB 1.00T	210	290	355	370	14,7	14,4
CMB 1.50M	CMB 1.50T	225	290	390	380	20,6	21,1
CMB 2.00M	CMB 2.00T	250	325	390	400	23,6	23,7
-	CMB 3.00T	250	325	-	400	-	23,1
-	CMB 4.00T	280	340	-	490	-	39,2
-	CMB 5.50T	280	340	-	490	-	44,6
CMC 0.75M	CMC 0.75T	210	290	355	370	12,7	12,5
CMC 1.00M	CMC 1.00T	210	290	355	370	13,7	14,5
CMD 1.50M	CMD 1.50T	237	320	425	427	24,8	23,1
CMD 2.00M	CMD 2.00T	237	320	425	427	24,3	24,5
-	CMD 3.00T	237	320	-	427	-	24,1

[1 ~] Single phase

[3 ~] Three phase

TECHNICAL DATA

50Hz

Rev.S

MOTOR DATA

Pump type	Power		Efficiency [IE2 / IE3]	Capacitor		Efficiency (% load) and power factor				Input [kW]	Full load current		Locked rotor current	
	[kW]	[HP]		[μF]	[V]	η %			cos-φ		[A]		[A]	
						50%	75%	100%			110 V	230 V	110 V	230 V
CMA 0.50M	0,45	0,6	IE2	14	450	55,7	65,6	72,5	0,94	0,65	-	3,0	-	13,4
CMA 0.75M	0,75	1,0	IE2	25	450	61,0	70,8	79,2	0,93	0,95	-	4,4	-	24,0
CMA 1.00M	0,9	1,2	IE2	31,5	450	67,0	75,3	79,0	0,92	1,15	-	5,4	-	31,3
CMA 1.50M	1,5	2,0	IE2	40	450	69,8	76,6	81,3	0,92	1,90	-	9,0	-	65,2
CMA 2.00M	1,5	2,0	IE2	40	450	69,8	76,6	81,3	0,92	1,90	-	9,0	-	65,2
CMB 0.75M	0,55	0,75	IE2	20	450	62,3	70,4	74,8	0,93	0,75	-	3,5	-	18,9
CMB 1.00M	0,9	1,2	IE2	31,5	450	67,0	75,3	79,0	0,92	1,15	-	5,4	-	31,3
CMB 1.50M	1,5	2,0	IE2	40	450	69,8	76,6	81,3	0,92	1,90	-	9,0	-	65,2
CMB 2.00M	1,5	2,0	IE2	40	450	69,8	76,6	81,3	0,92	1,90	-	9,0	-	65,2
CMC 0.75M	0,55	0,75	IE2	20	450	62,3	70,4	74,8	0,93	0,75	-	3,5	-	18,9
CMC 1.00M	0,75	1,0	IE2	25	450	61,0	70,8	79,2	0,93	0,95	-	4,4	-	24,0
CMD 1.50M	1,5	2,0	IE2	40	450	69,8	76,6	81,3	0,92	1,90	-	9,0	-	65,2
CMD 2.00M	1,5	2,0	IE2	40	450	69,8	76,6	81,3	0,92	1,90	-	9,0	-	65,2

Pump type	Power		Efficiency	Efficiency (% load)			Input [kW]	Full load current [A]		Locked rotor current [A]	
	[kW]	[HP]		η %				230 V	400 V	230 V	400 V
				50%	75%	100%					
CMA 0.50T	0,37	0,5	IE3	69,0	74,6	75,1	0,5	1,8	1,1	9,6	5,5
CMA 0.75T	0,55	0,75	IE3	80,2	82,8	82,9	0,91	3,0	1,7	20,5	11,8
CMA 1.00T	0,75	1	IE3	80,9	82,3	82,1	1,08	3,3	1,9	19,7	11,4
CMA 1.50T	1,1	1,5	IE3	83,5	84,3	84,6	1,77	5,8	3,3	47,4	27,4
CMA 2.00T	1,5	2	IE3	84,2	86,8	86,9	2,35	7,6	4,4	66,6	38,4
CMA 3.00T	2,2	3	IE3	86,2	87,0	86,0	2,82	8,5	4,9	66,6	38,4
CMB 0.75T	0,55	0,75	IE3	75,1	78,5	78,0	0,71	2,4	1,4	12,7	7,3
CMB 1.00T	0,75	1	IE3	80,9	82,3	82,1	1,17	3,5	2,0	19,7	11,4
CMB 1.50T	1,1	1,5	IE3	83,5	84,3	84,6	1,77	5,8	3,3	47,4	27,4
CMB 2.00T	1,5	2	IE3	84,2	86,8	86,9	2,01	7,1	4,1	66,6	38,4
CMB 3.00T	2,2	3	IE3	86,2	87,0	86,0	2,55	8,2	4,7	66,6	38,4
CMB 4.00T	3	4	IE3	85,9	87,5	87,1	3,44	11,1	6,4	90,0	52,0
CMB 5.50T	4	5,5	IE3	85,8	88,3	88,4	4,96	15,6	9,0	131,8	76,1
CMC 0.75T	0,55	0,75	IE3	75,1	78,5	78,0	0,71	2,4	1,4	12,7	7,3
CMC 1.00T	0,75	1	IE3	80,9	82,3	82,1	0,91	3,0	1,7	19,7	11,4
CMD 1.50T	1,1	1,5	IE3	83,5	84,3	84,6	1,77	5,8	3,3	47,4	27,4
CMD 2.00T	1,5	2	IE3	84,2	86,8	86,9	2,01	7,1	4,1	66,6	38,4
CMD 3.00T	2,2	3	IE3	86,2	87,0	86,0	2,55	8,2	4,7	66,6	38,4

NOISE DATA

Pump type		L _{pA} - dB(A) *	
Single Phase	Three Phase		
CMA 0.50M	CMA 0.50T	<70	
CMA 0.75M	CMA 0.75T		
CMA 1.00M	CMA 1.00T		
CMA 1.50M	CMA 1.50T		
CMA 2.00M	CMA 2.00T		
-	CMA 3.00T		
CMB 0.75M	CMB 0.75T		
CMB 1.00M	CMB 1.00T		
CMB 1.50M	CMB 1.50T		
CMB 2.00M	CMB 2.00T		
-	CMB 3.00T		
-	CMB 4.00T		72
-	CMB 5.50T		
CMC 0.75M	CMC 0.75T	<70	
CMC 1.00M	CMC 1.00T		
CMD 1.50M	CMD 1.50T		
CMD 2.00M	CMD 2.00T		
-	CMD 3.00T		

* Mean value of several measures at 1m distance around the pump.
Tolerance ± 2.5 dB.



EBARA Pumps Europe S.p.A.
Via Torri di Confine 2/1 int. C
36053 Gambellara (Vicenza), Italy
Phone +39 0444 706811
ebarapumps.epe@ebaracom
www.ebaraeurope.com

EBARA Pumps Europe S.p.A. GERMANY
Elisabeth-Selbert-Straße 2
63110 Rodgau, Germany
Phone +49 (0) 6106-660 99-0
info.epde@ebaracom

EBARA Pumps South Africa (PTY) LTD
26 Kyalami Boulevard,
Kyalami Business Park, 1684, Midrand,
Gauteng, South Africa
Phone +27 11 466 1844
ebaraeurope@ebaracom

EBARA Pumps Europe S.p.A. UK
Unit A, Park 34
Collett Way - Didcot
Oxfordshire - OX11 7WB, United Kingdom
Phone +44 1895 439027
marketing.epuk@ebaracom

EBARA Pumps Europe S.p.A. FRANCE
122, Rue Pasteur
69780 Toussieu, France
Phone: +33 04 72 76 94 82
mktg.epr@ebaracom

EBARA Pumps East Africa
Delta Corner Tower 2, 13th Floor, Office 1308,
Chiromo Road, Westlands
P.O. Box 13796-00800, Nairobi
Phone: +254(0)722913119
info.epea@ebaracom

EBARA POMPY POLSKA Sp. z o.o.
ul. Działkowa 115 A
02-234 Warszawa, Poland
Phone +48 22 3909920
marketing.epl@ebaracom

EBARA Pumps RUS Ltd.
Prospekt Andropov 18, building 7, floor 11
115432 Moscow
Phone +7 499 6830133
mktg.epr@ebaracom